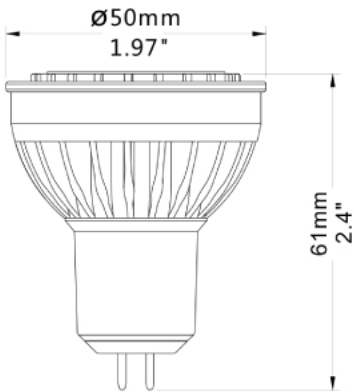




Roto Lighting, Inc.

BLUETOOTH RGBW - COLOR CHANGING (MR16 BI-PIN)



 Bluetooth RGB



Input:	12V AC(Power Range 9-15V)
Power:	4W
Lumen:	200-400
Beam Angle:	30°
LED Chip:	CREE
CRI:	80+
Material:	Aluminum
Rated Life:	50,000 hours

